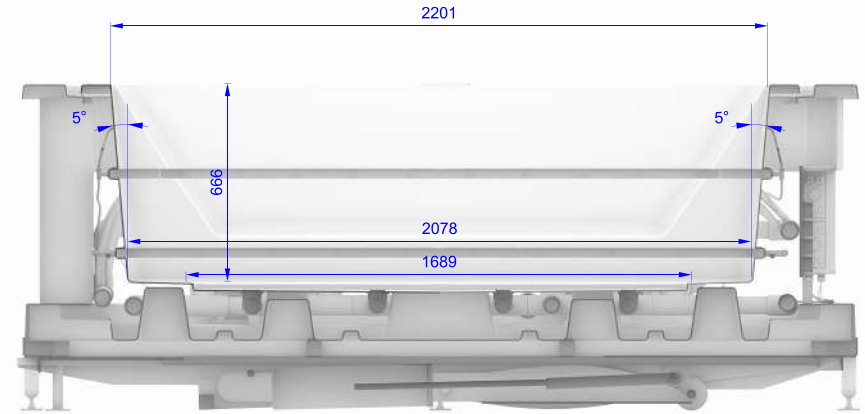
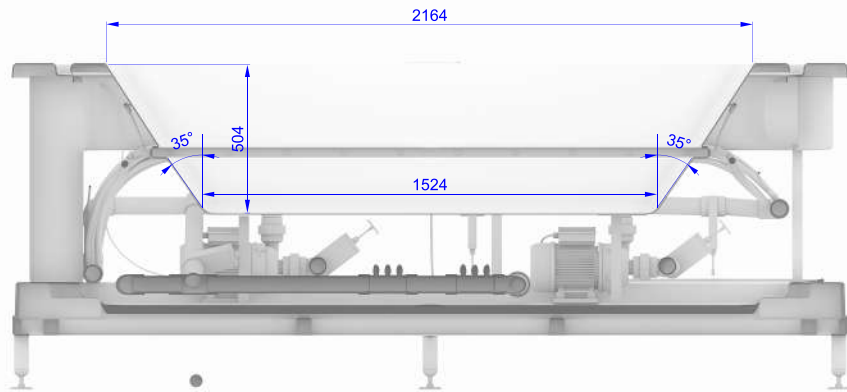


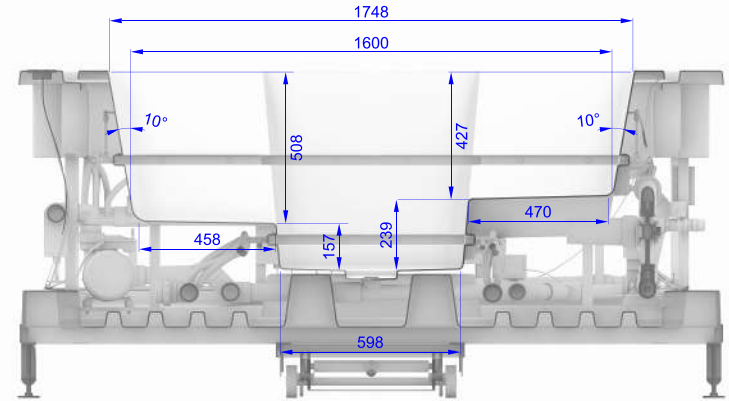
Section AA



Section BB



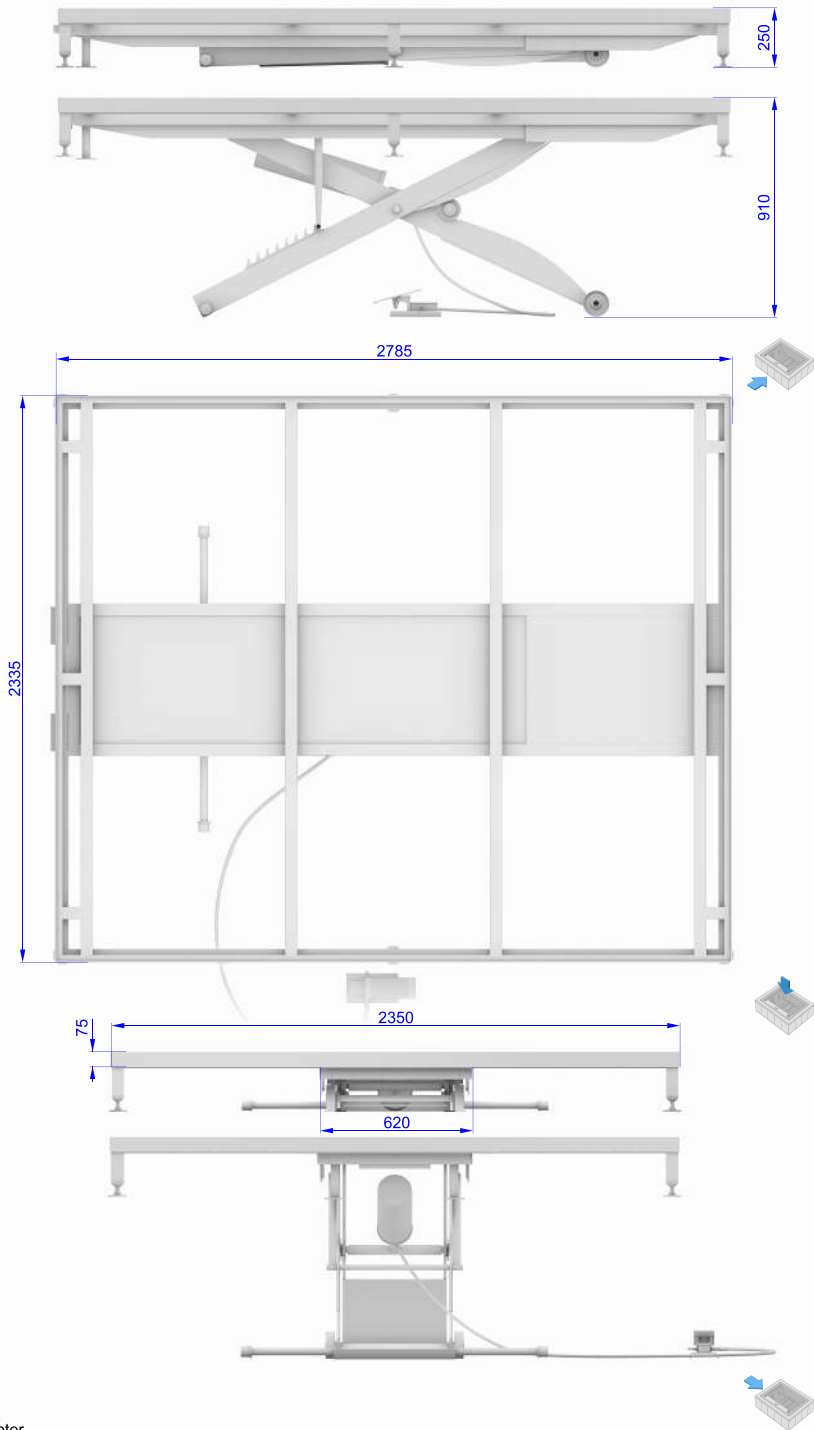
Section CC



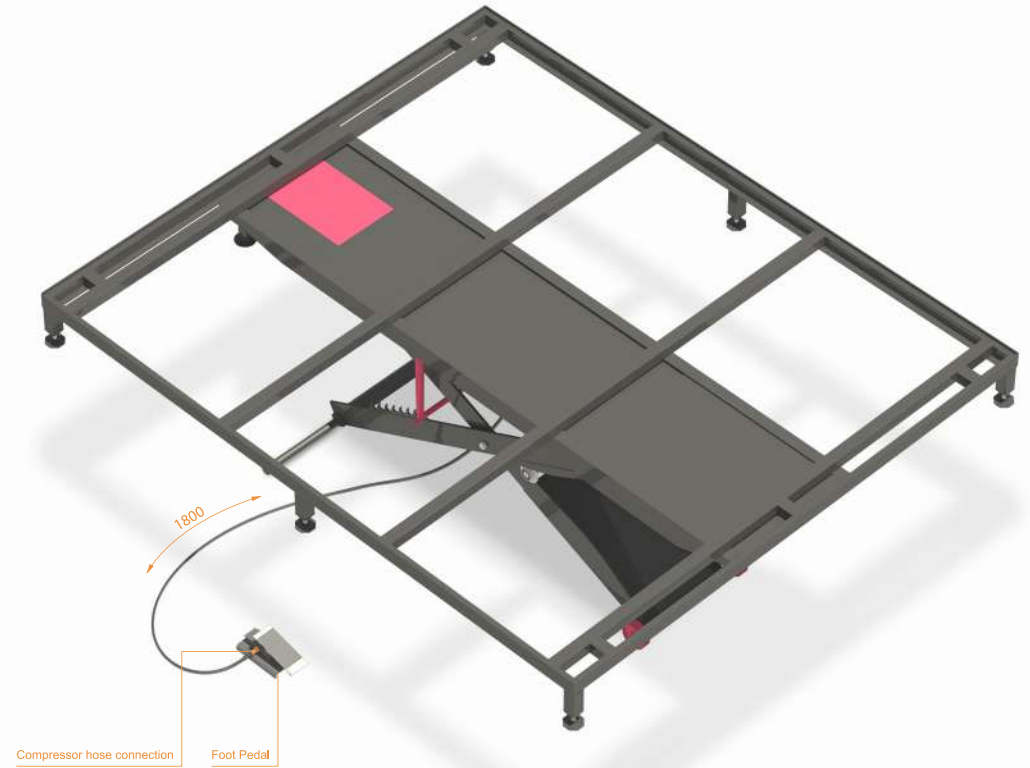
Section DD

units: millimeter

DRAWN	2024-09-16	<b>aquatica®</b>		
...				
QA		<b>VIBE Infinity Inground Spa</b>		
...				
Dimensions are subject to a +/- 25 mm tolerance		SIZE	DWG NO	REV
		-		02
		SCALE		SHEET 2 OF 4

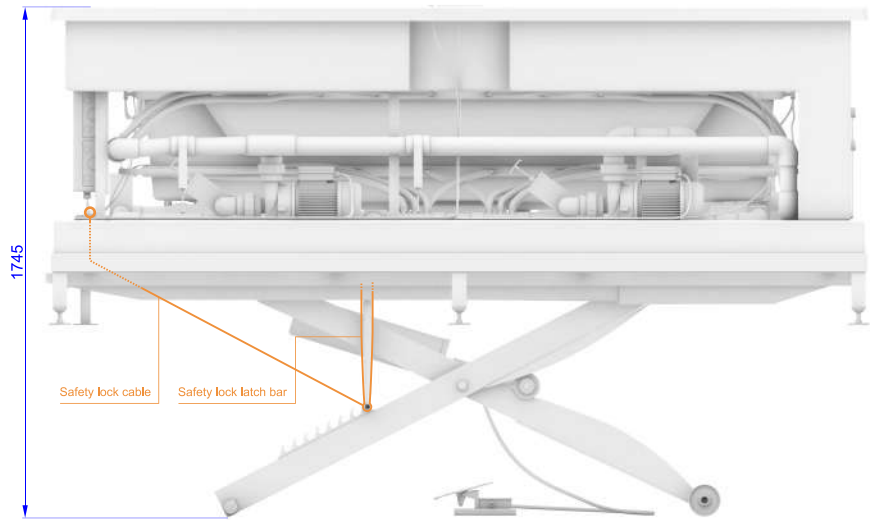


■ Safety lock/ pedal



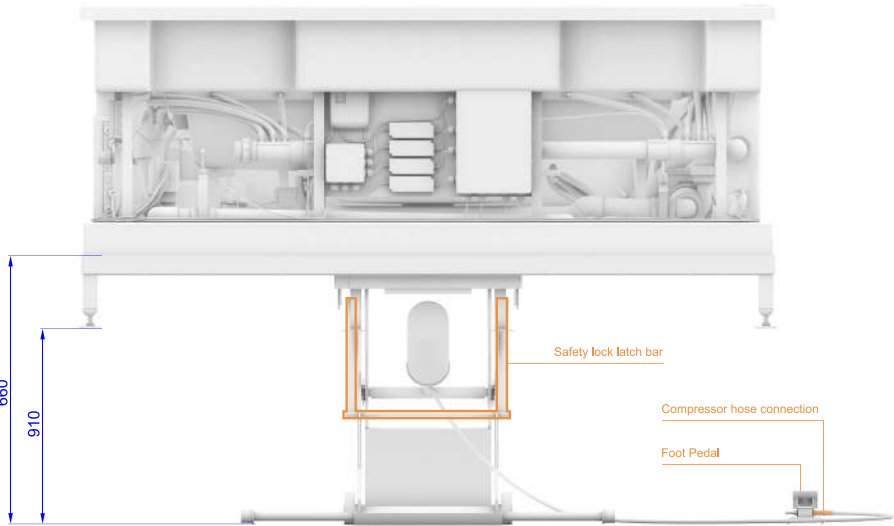
units: millimeter

DRAWN	2024-09-16	<b>aquatica®</b>		
...				
QA		TITLE <b>VIBE Infinity Inground Pneumatic Elevator</b>		
...				
		SIZE	DWG NO	REV
Dimensions are subject to a +/- 25 mm tolerance		-		03
		SCALE		SHEET 3 OF 4



Safety lock cable

■ Safety lock/ pedal



Foot Pedal

units: millimeter

DRAWN	2024-09-16	<b>aquatica</b> <sup>®</sup>		
...				
QA		TITLE <b>VIBE Infinity Inground Pneumatic Elevator</b>		
...				
Dimensions are subject to a +/- 25 mm tolerance		SIZE -	DWG NO	REV 03
		SCALE		SHEET 4 OF 4